



FY WG2 3 Axis Wearable Gimbal

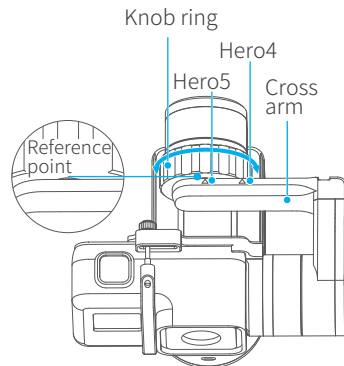
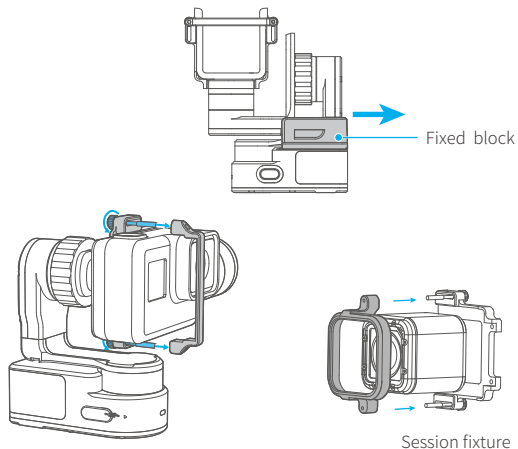
Compatible with GoPro Hero5 / GoPro Hero4 / Session
and cameras with similar dimensions

GuiLin FeiYu Technology Incorporated Company

User Guide

1 Install the Camera

Remove fixed block, install the camera on retainer plate, then fix the camera with retainer bar and screws.



Loosen the knob ring and adjust the arm length to fit the different cameras.



Attention!

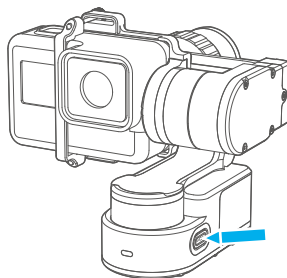
- (1) Please install the camera before powering on the gimbal.
- (2) When not in use, turn off the gimbal and then remove the camera.

2 Power on / off

Attention: Make sure the camera is secure before powering on the gimbal.

Power On: Press and hold function button until the green light is on.

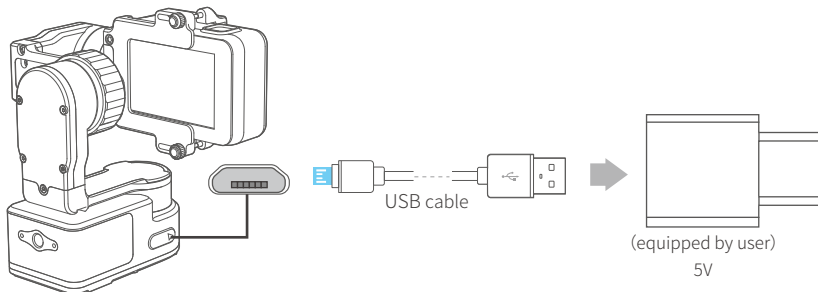
Power Off: Press and hold function button until the red light changes from quick flashing to always on.



In case of low battery, the red LED indicator flashes for three times forevery 5 seconds. Please charge WG2.

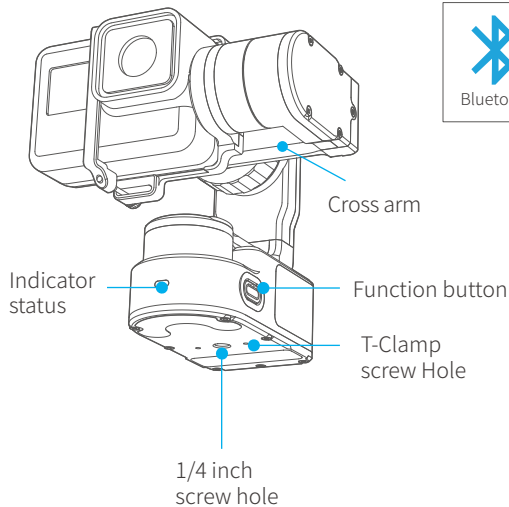
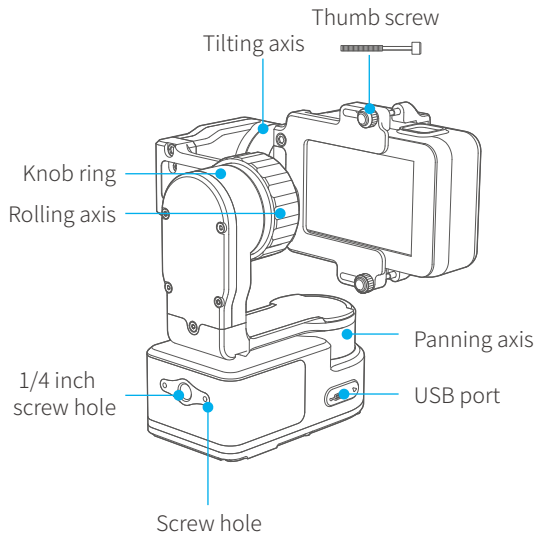
Charging

Charge with USB cable. Please make sure the battery is fully charged before you use the gimbal for the first time.

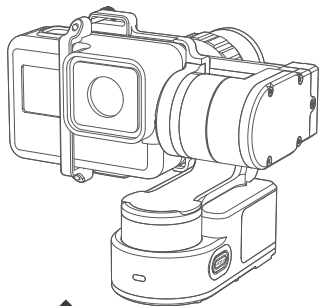


Product Overview

* The showing sports camera is only for reference

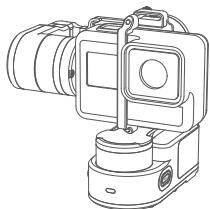


Vertical

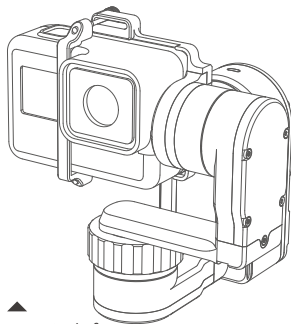


Camera in left

Camera in right

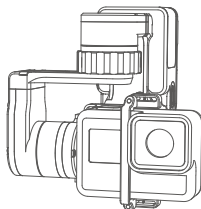


Forward

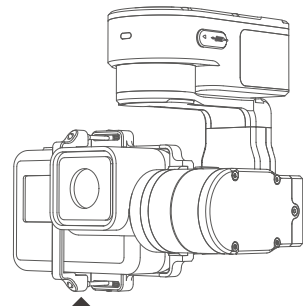


Camera in left

Camera in right

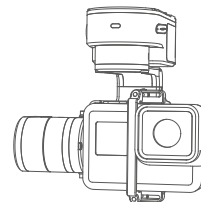


Inverted



Camera in left

Camera in right



App download and connect

1 Download App

Download "Feiyu ON" and install it. *Please scan the two-dimensional code via the browser.

(1) iOS version:

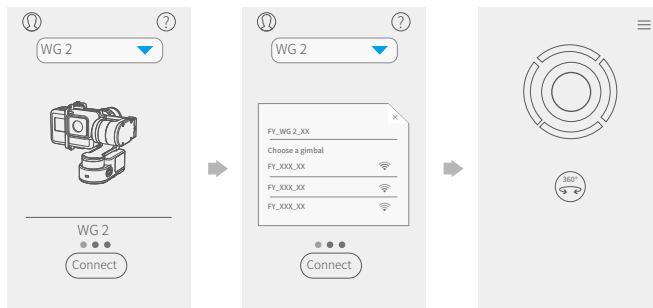


(2) Android version:



2 Connecting App

Start the App on your smartphone, follow the instructions to connect the smartphone with gimbal via bluetooth.



Mode /Function

Panning Mode

Tilting and rolling direction are fixed, and the camera lens moves according to the hand movement of the user.

Panning and Tilting Mode

The rolling direction is fixed, and the camera lens moves according to the hand movement of the user.

Lock Mode

The orientation of the camera is fixed.

Reset

Reset the tilting axis of the gimbal to initial orientation and initial mode.

Indicator Status

Mode / Status

Blue light flashes once	Panning
Blue light flashes twice	Panning and tilting mode
Blue light on steadily	Lock mode / Initializing
Blue light keeps flashing	Initialization failure / Malfunction
Red light flashes three times	Low battery
Red light keeps flashing	Turning off

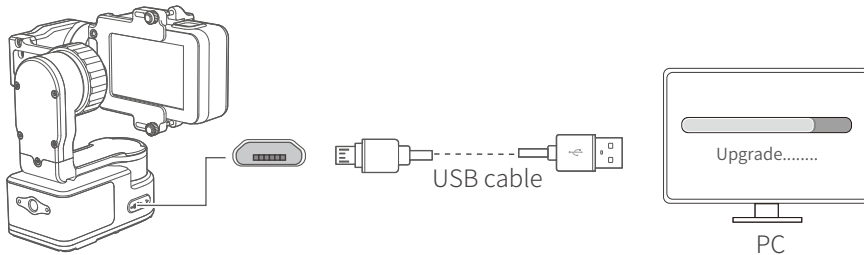
Mode /Function Operation Instructions

Function Button	Mode /Function	Explanation
Single tap	Panning Mode / Lock Mode	Single tap to switch between panning mode and lock mode
Double tap	Panning and tilting mode	When in panning and tilting mode, press once to switch to lock mode
Triple tap	Rotate 180° in horizontal	Make the camera lens rotate 180 °
Quadruple tap	Autorotation Mode	Quadruple tap to enter autototation mode
Fifth tap	Initialization	Single tap again to awake the gimbal, or triple tap to initialize the gimbal

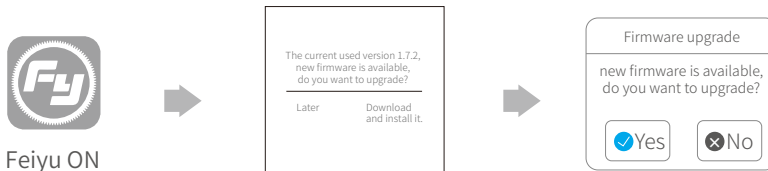
Firmware Upgrade

(1) Option 1: connect the gimbal with PC via USB cable, and then upgrade the firmware.

Please visit the official website www.feiyu-tech.com to download the relevant software for upgrading, including USB driver,firmware upgrade software and product firmware, and install the relevant software, decompress the firmware files .



(2) Option 2: connect the gimbal with smartphone via bluetooth, and then upgrade the firmware.



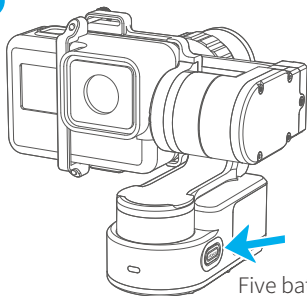
Gimbal initialization

You can initialize your gimbal:

- (1) when camera is not level
- (2) if not used for a long period of time
- (3) in case of extreme temperature variations

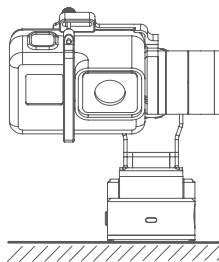
Adjusting steps:

1



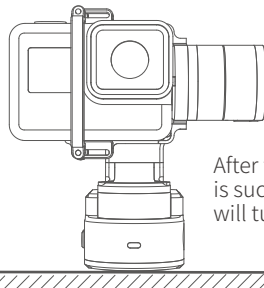
Five batter function button,
the motor is turned off.

2



Still placed on the
desktop, gimbal is
automatically
initialized.

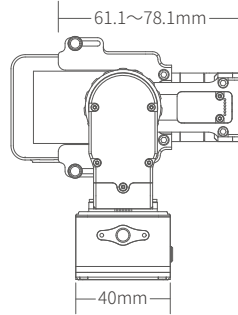
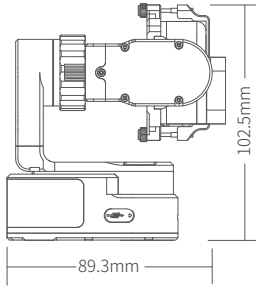
3



After the initialization
is successful, the motor
will turn on automatically.

Note: If the initialization is not successful for a long time, long press the function button to turn off the gimbal, restart it and then initialize.

Parameters



Titling Angle

360°

Rolling Angle

70°

Panning Angle

360°

Titling Increments

min 1.5°/s max 150°/s

Panning Increments

min 1.5°/s max 270°/s

Weight

265 g (Not including camera)

Usage time

2.5 Hours

Adaption Weight

130 g

DISCLAIMER

Prohibit any user for any illegal purpose. Users will be responsible for all behaviors of purchase and use products.

The Company assumes no liability for any risks related to or resulting from the debug and use of this product (including the direct, indirect or third-party losses).

For any unknown sources of using, we will not be at any services.

The updating and changes of product firmware and program may cause changes in function descriptions in this user manual, please read the instructions carefully before upgrading the firmware and use the corresponding user manual.

You can get the latest user manual from the official website: www.feiyu-tech.com

FeiyuTech reserves the right to amend this manual and the terms and conditions of use the product at any time.

- Attention**
- Please correctly assemble the gimbal in accordance with the diagram
 - Please install the camera before powering on the gimbal
 - When the gimbal is not in use or placed on the table, please ensure it is powered off

Create More Possibilities



For more information, please visit our official website

Support Email: service@feiyu-tech.com

Due to software and hardware improvements, your actual product might differ from the descriptions and pictures in this user manual. You can get the latest user manual from the official website.



www.feiyu-tech.com